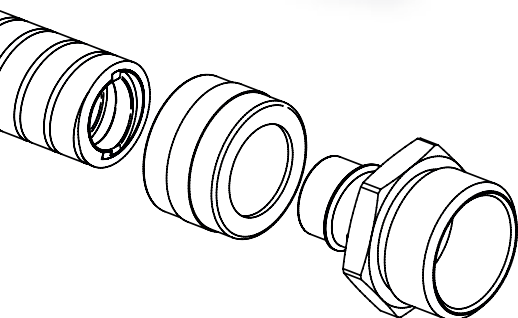
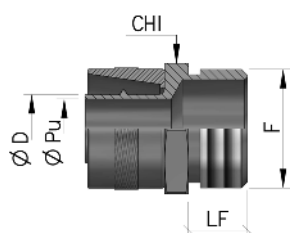


Conduit fitting



Descrizione

Male conduit fitting, suitable with smooth conduit, vacuum coated, and bare conduit. Wide range available, including reduced connection diameters for junction boxes, equipped with standard knockouts.

CODE	FLEXIBLE TUBE	USEFUL PASSAGE	WRENCH SIZE, mm	THREAD	THREAD LENGTH, mm
	DIAMETER, mm	mm		F	LF
614-10M16	ØD	PU	CHI		
614-10M16	10,0	8,5	20	M16x1.5	10,0
614-12M16	12,0	8,5	20	M16x1.5	10,0
614-12M20	12,0	10,0	22	M20x1.5	10,0
614-16M16	16,0	12,5	24	M16x1.5	10,0
614-16M20	16,0	13,5	24	M20x1.5	10,0
614-21M20	21,0	16,5	30	M20x1.5	10,0
614-21M25	21,0	18,0	30	M25x1.5	12,0
614-27M25	27,0	21,0	36	M25x1.5	12,0
614-27M32	27,0	24,0	36	M32x1.5	13,0
614-35M40	35,0	32,0	50	M40x1.5	14,0
614-40M40	40,0	36,0	55	M40x1.5	14,0
614-40M50	40,0	38,0	55	M50x1.5	14,0

Specifications

- Pitch: **Metric**
- Material: **Plated brass**
- Mechanical protection degree: **Very High**

IP degree of the connection

Bare conduit

IP40

Vacuum coated

IP54

Smooth coated

IP54

